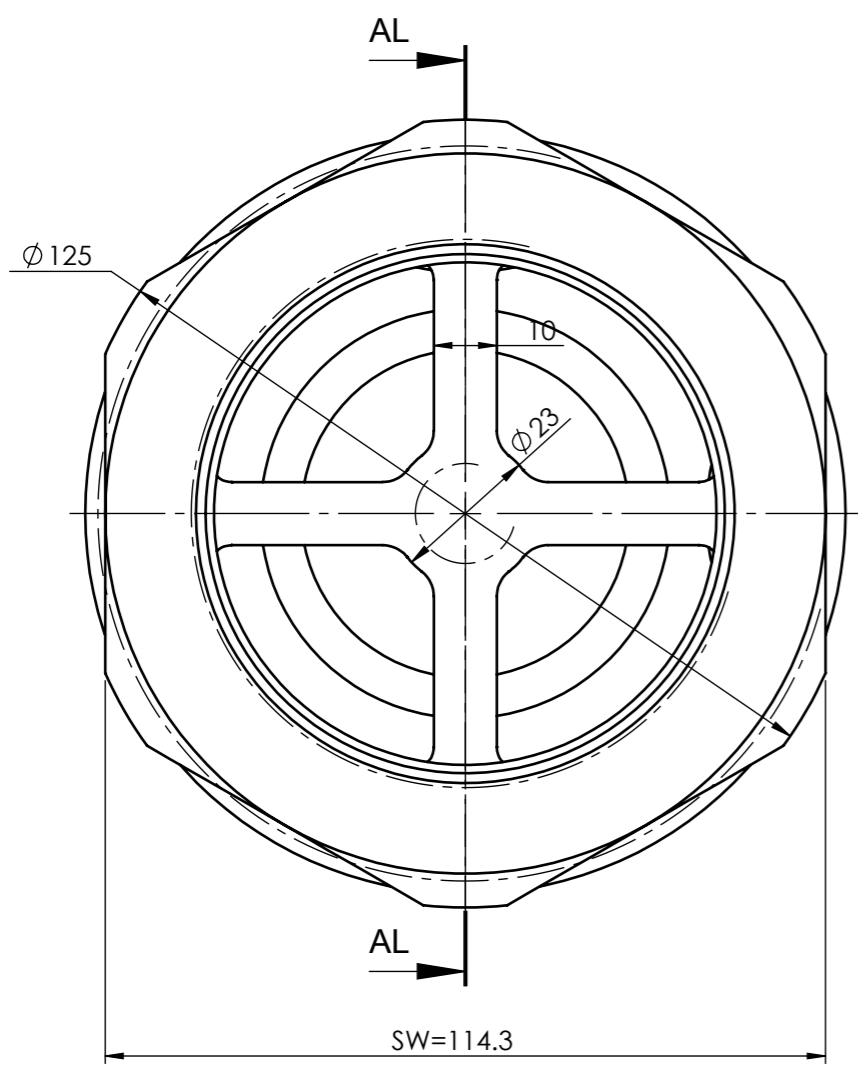
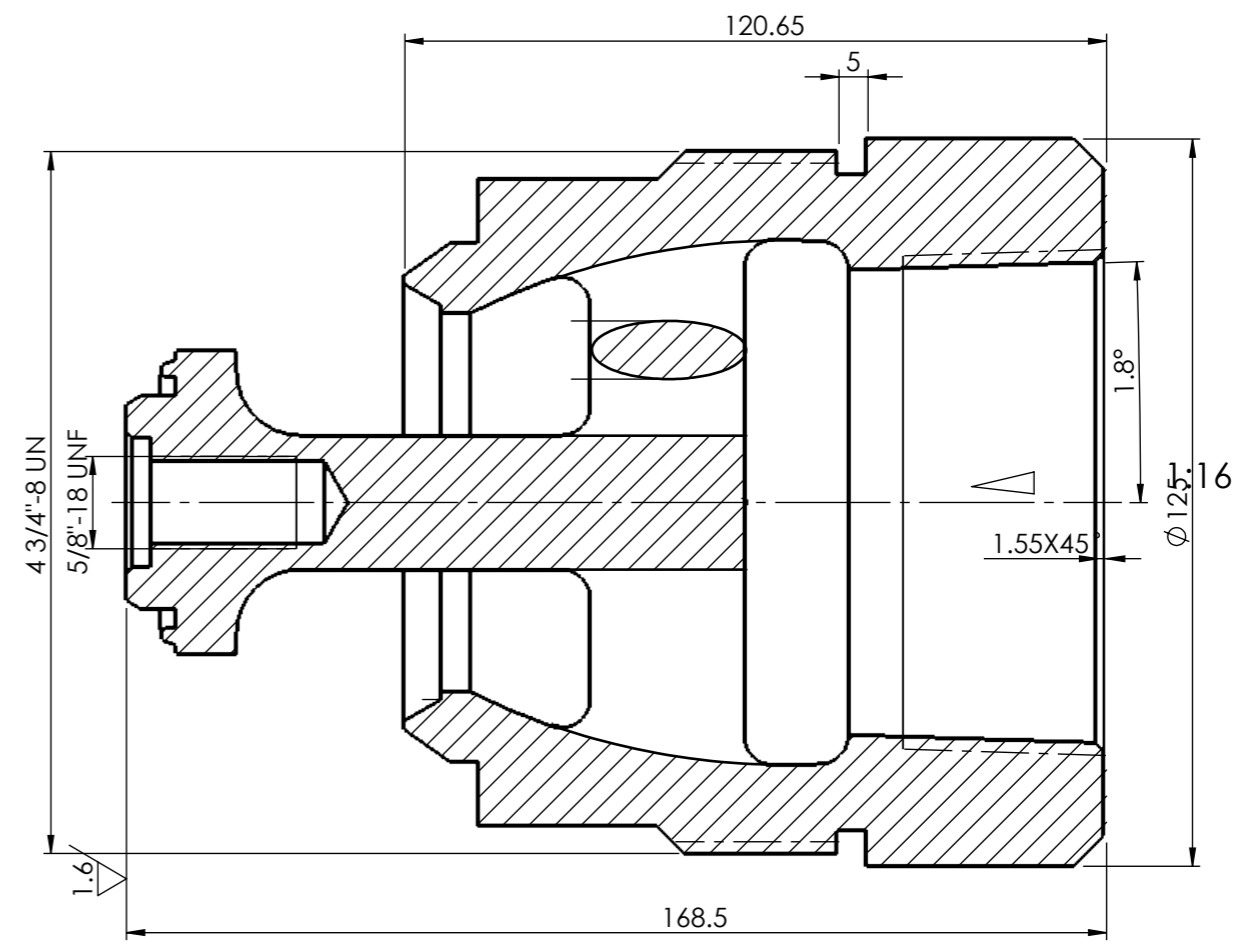


PART NO.	PART NAME	QTY	DIMENSION	MATERIAL	SUR.H	CORE.H	WEIGH	REMARKS
1	SUB	1	AS SHOWN	AISI 4140	22 HRC			DIN 1.7225



PART #1



SECTION AL-AL

REV	DATE	NAME	SIGN	SCALE	TITLE
0	1404/10/20	J.Motedayen		1:1	POP VALVE
SKETCH	1404/10/20	J.Motedayen			M.E.S.C NO: -----
DRAWN	1404/10/20	J.Motedayen			PART NO:
CHECKED	1404/10/20	J.Motedayen			SHEET: 5 OF 9
APPROVED	1404/10/20	MR.SHEBANI			DWG NO: SH-P01.573