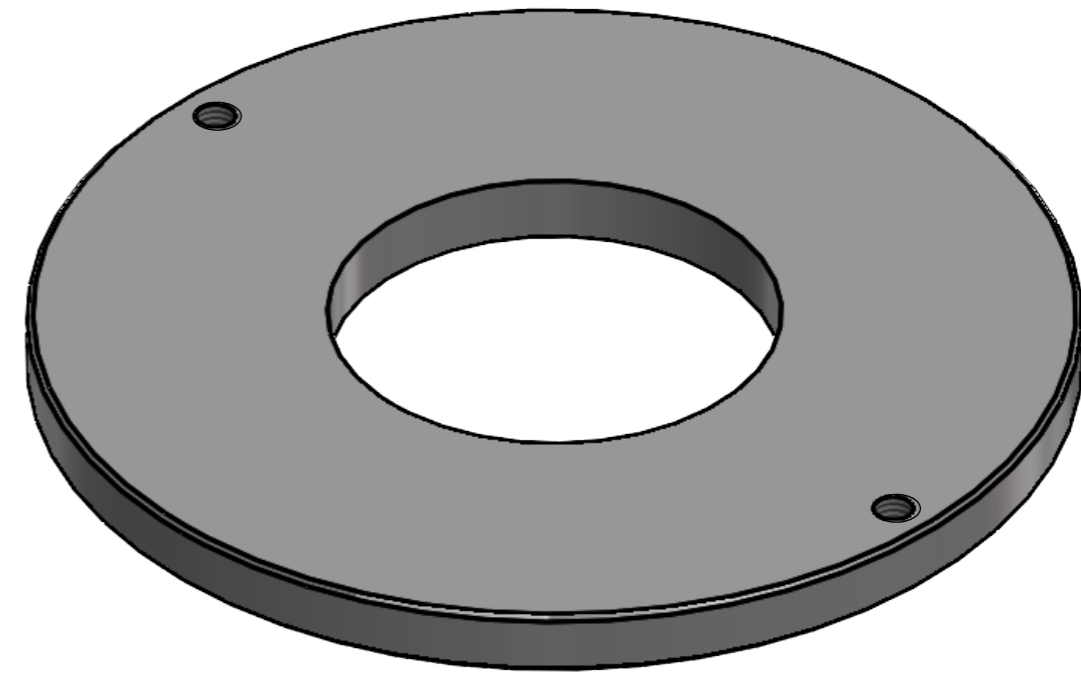
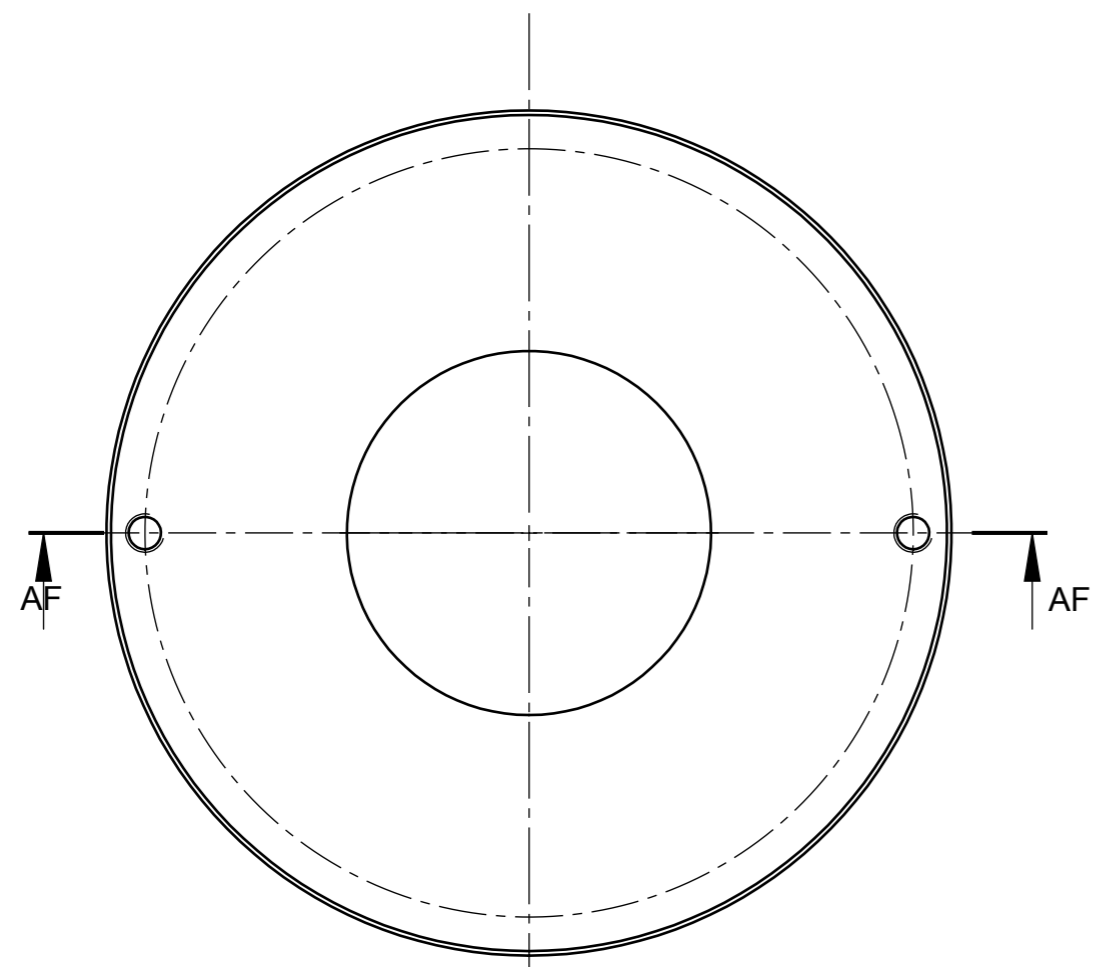
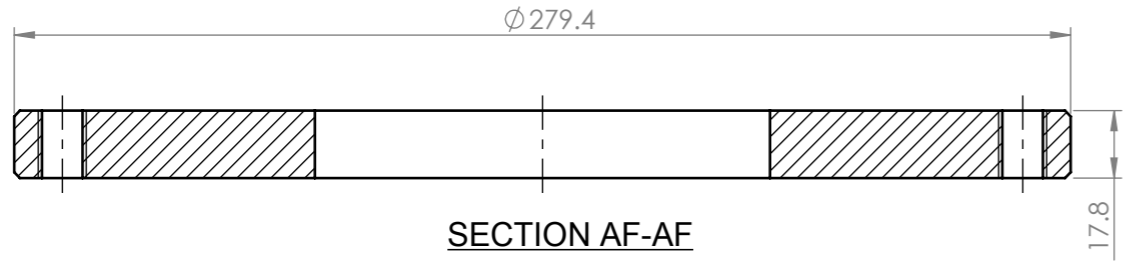


PART NO.	PART NAME	QTY	DIMENSION	MATERIAL	SUR.H	CORE.H	WEIGHT	REMARKS
1	LINER WEAR PLATE	1	AS SHOWN	AISI 420	38 HRC			-----



	DIYAKO ARYA MACHINE CO.			BY	DATE	BY	DATE
	REV	DATE	NAME	SIGN	REV.	CHECKED	REV. APPROVED
0	1404/02/10	J.Motedayen		SCALE	TITLE: LINER WEAR PLATE		
SKETCH	1404/02/10	J.Motedayen		1:1	M.E.S.C NO: ---		
DRAWN	1404/02/10	J.Motedayen			PART NO:		
CHECKED	1404/02/10	J.Motedayen			SHEET: 1 OF 1		
APPROVED	1404/02/10	MR.SHEBANI		SIZE	DWG NO: SH-P01.---		
				A3			