

8 7 6 5 4 3 2 1

F F

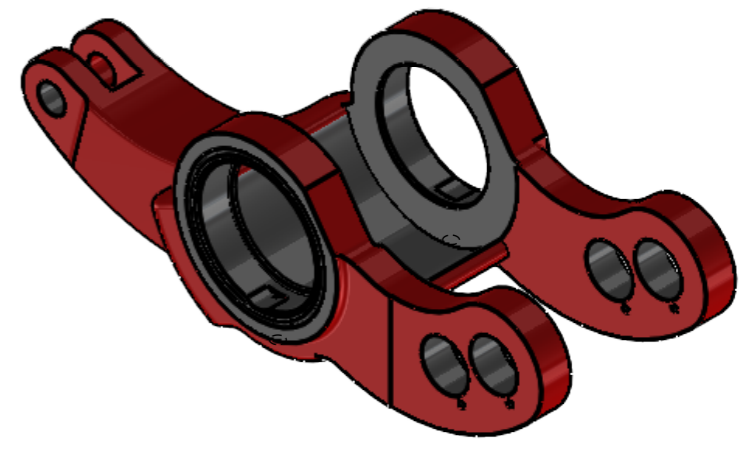
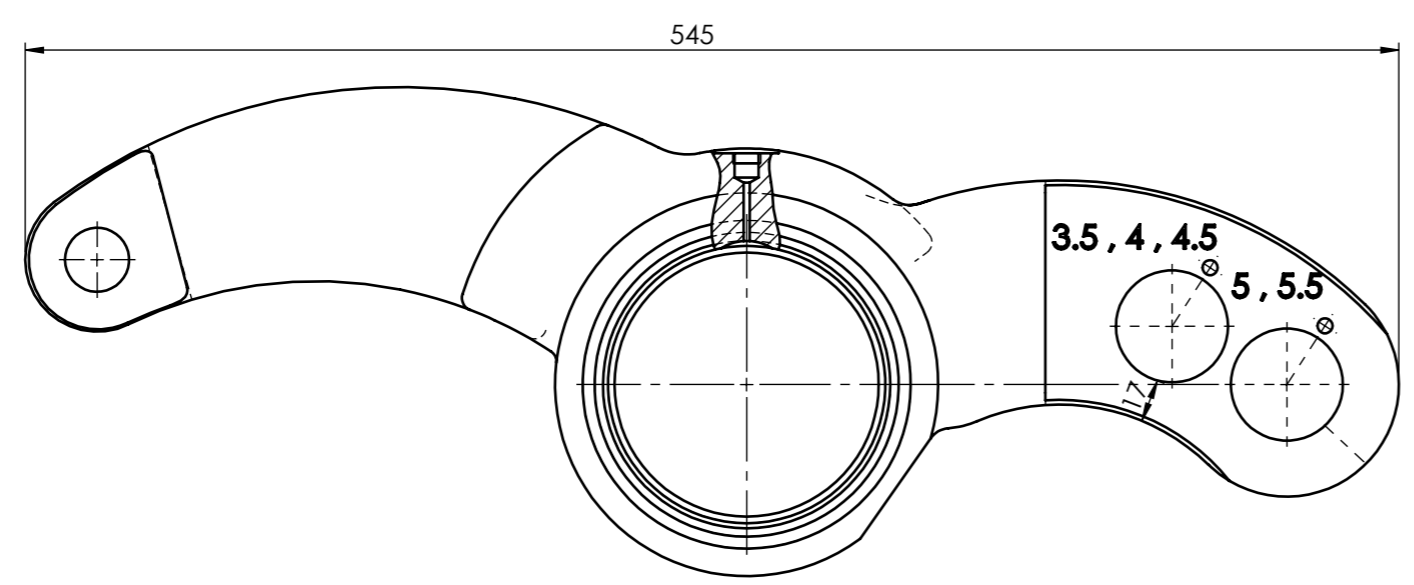
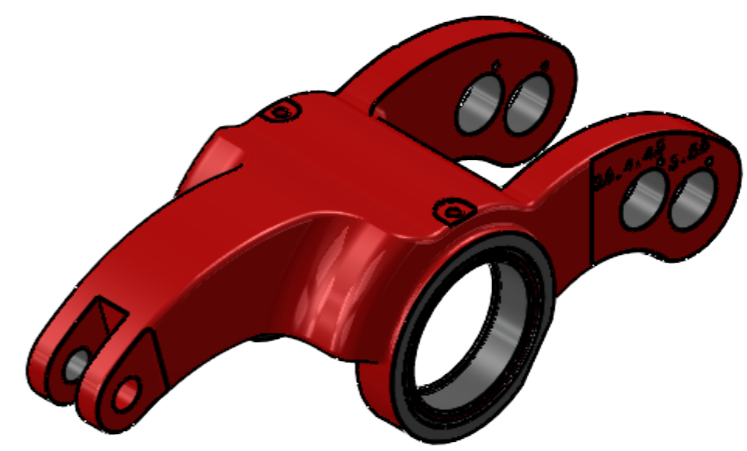
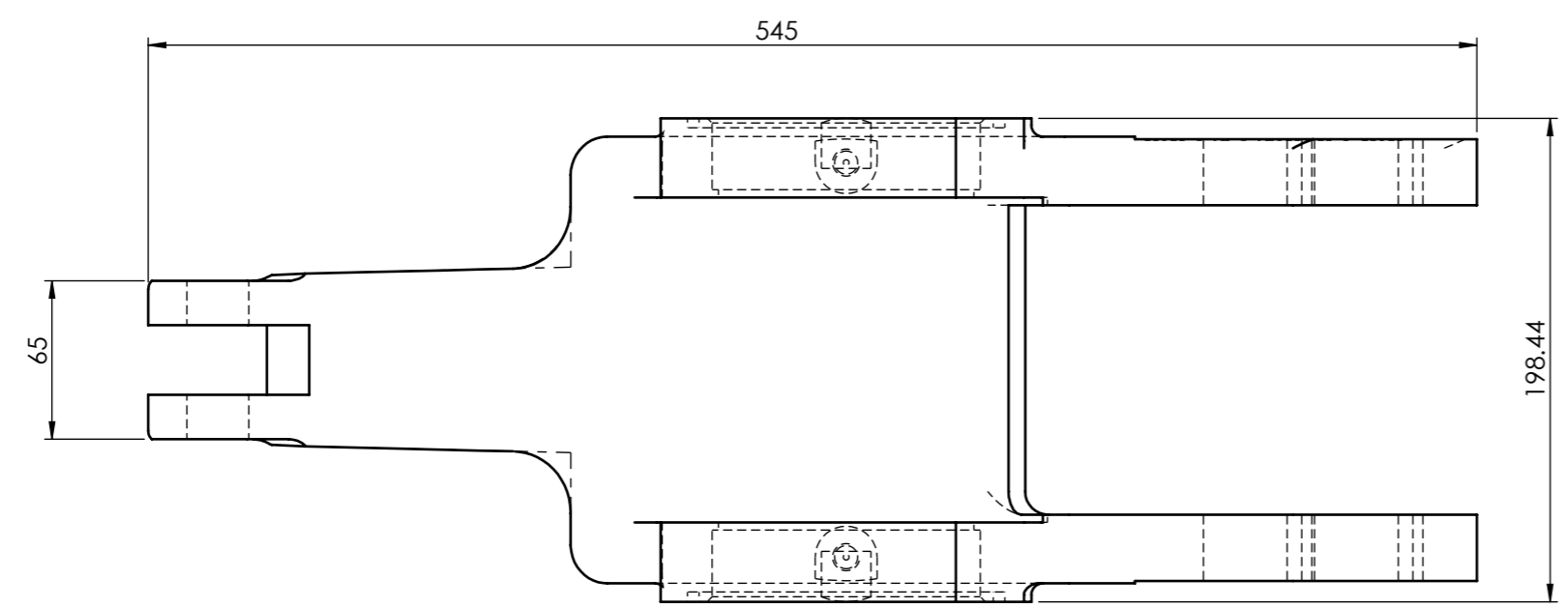
E E

D D

C C

B B

A A



		DIYAKO ARYA MACHINE CO.		BY	DATE	BY	DATE
REV	0	DATE	NAME	SIGN	REV.	CHECKED	REV. APPROVED
SKETCH	1404/02/10	J.Motedayen			SCALE	TITLE: ROLLER ARM (SSW10)	
DRAWN	1404/02/10	J.Motedayen			SIZE	M.E.S.C NO: ---	
CHECKED	1404/02/10	J.Motedayen			A3	PART NO: ---	
APPROVED	1404/02/10	MR.SHEBANI				SHEET: 1 OF 1	
						DWG NO: SH-P01.---	

8 7 6 5 4 3 2 1