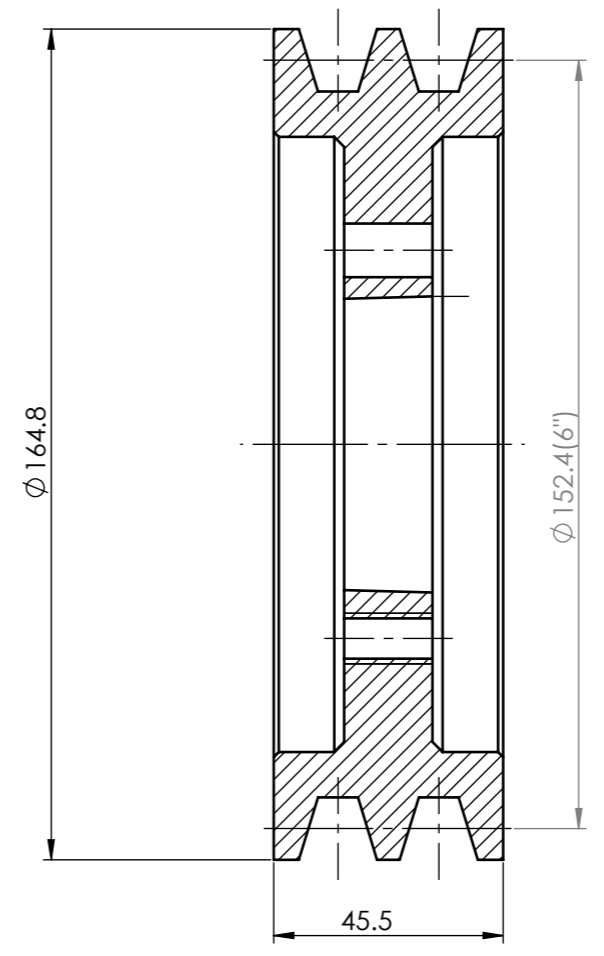
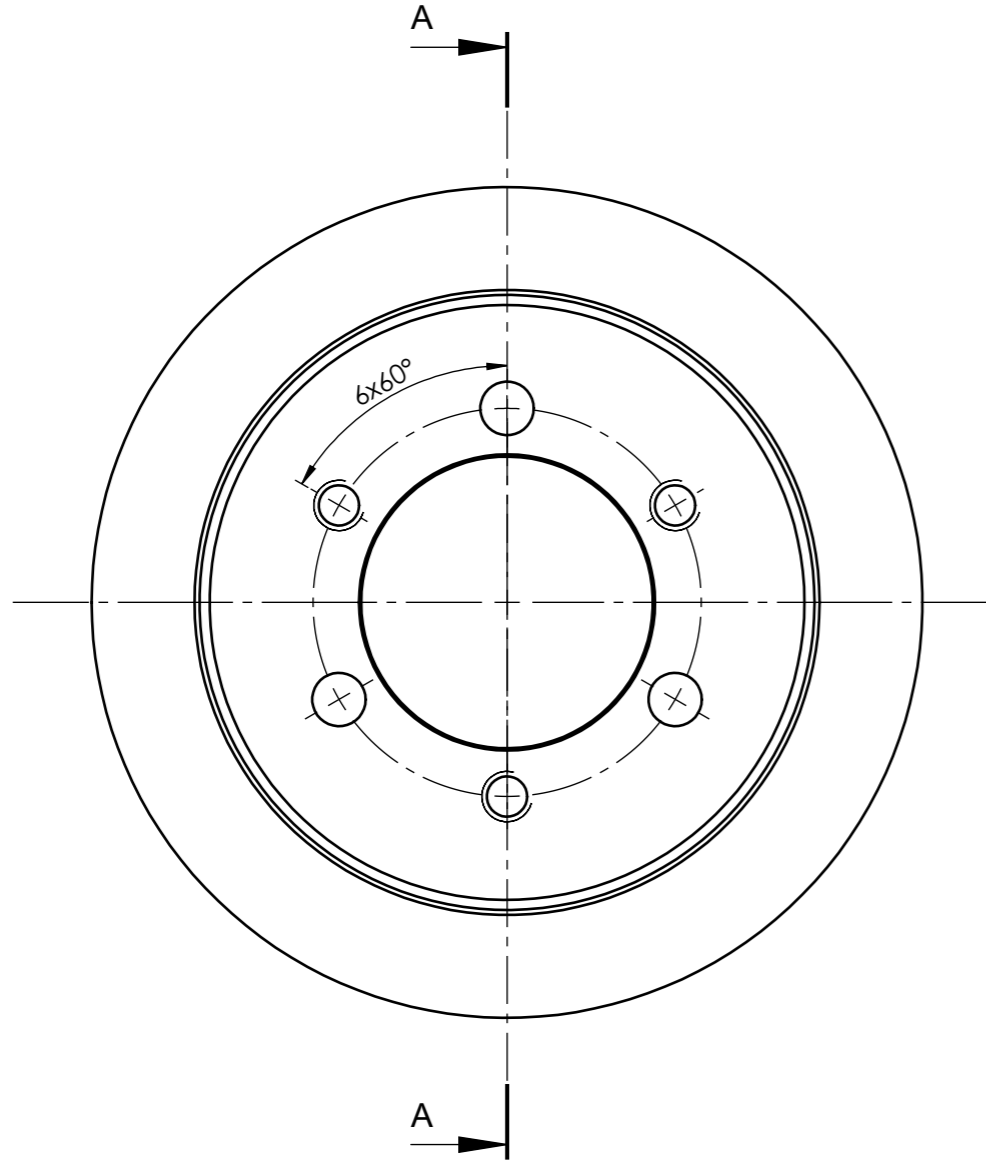
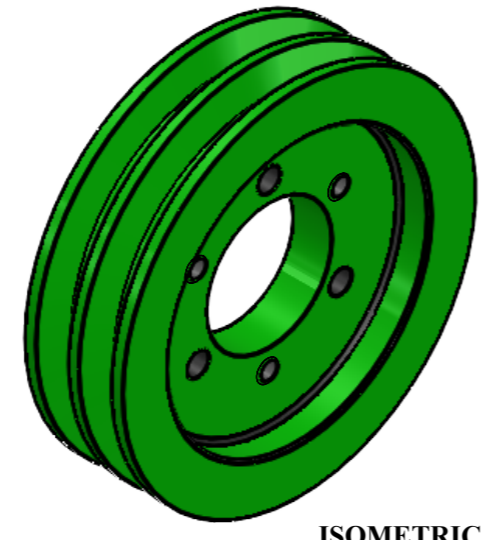


PART NO.	PART NAME	QTY	DIMENSION	MATERIAL	SUR.H	CORE.H	WEIGHT	REMARKS
1	SHEAVE	1	AS SHOWN	GG 25	160 HB			DIN 0.6025



SECTION A-A



ISOMETRIC

	DIYAKO ARYA MACHINE CO.			BY	DATE	BY	DATE	
	REV	0/△	DATE	NAME	SIGN	REV.	CHECKED	REV.
SKETCH	1404/02/10	J.Motedayen			SCALE	TITLE: SHEAVE 6"		
DRAWN	1404/02/10	J.Motedayen			1:1	M.E.S.C NO: ---		
CHECKED	1404/02/10	J.Motedayen				PART NO:		
APPROVED	1404/02/10	MR.SHEBANI				SIZE	SHEET: 1 OF 1	
					A3	DWG NO: SH-P01.---		