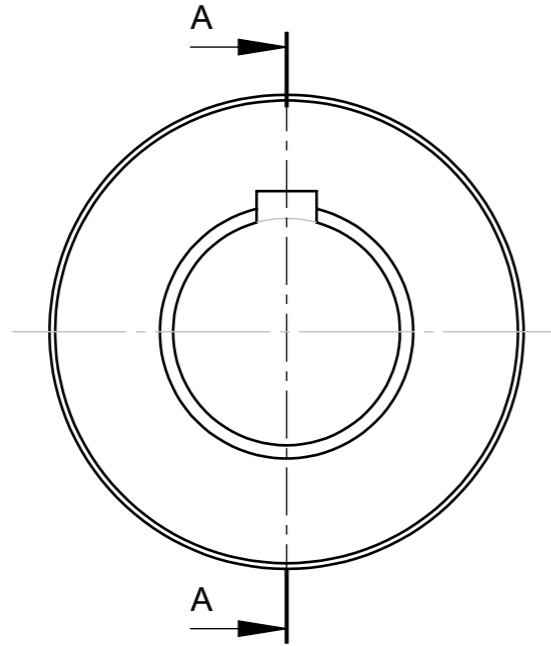
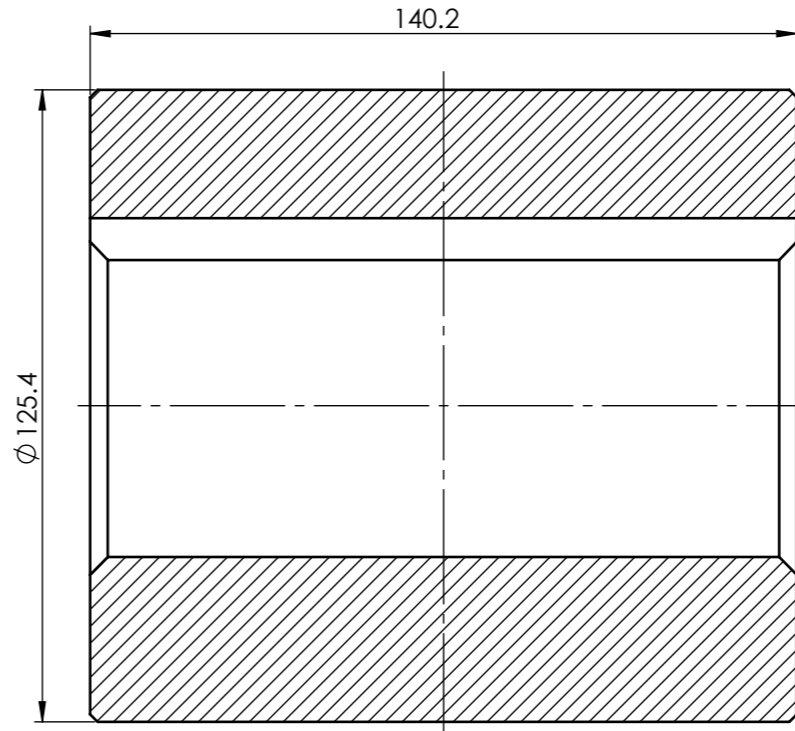


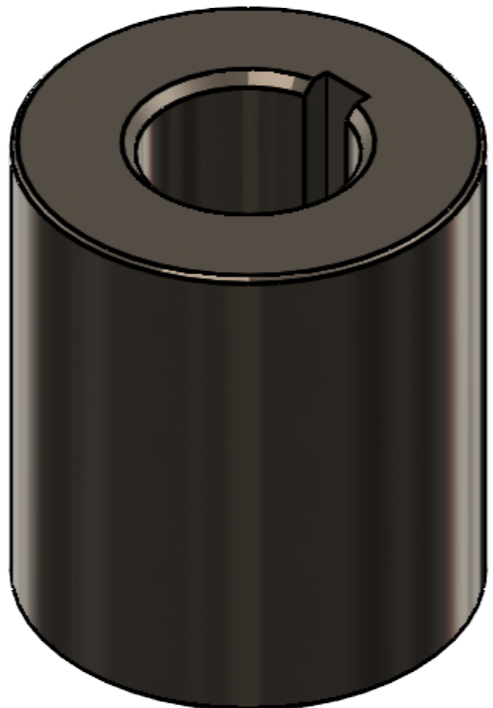
4	3	2	1					
PART NO.	PART NAME	QTY	DIMENSION	MATERIAL	SUR.H	CORE.H	WEIGHT	REMARKS
1	DRIVE ROLLER	4	AS SHOWN	AISI 4140	35 ± 2 HRC			DIN 1.7225



PART #1



SECTION A-A



REV	DATE	NAME	SIGN	SCALE	TITLE:	SSW-40
0	1404/02/10	J.Motedayen		1:1	M.E.S.C NO:	---
	1404/02/10	J.Motedayen			PART NO:	
	1404/02/10	J.Motedayen			SHEET:	1 OF 1
	1404/02/10	MR.SHEBANI			DWG NO:	SH-P01.---