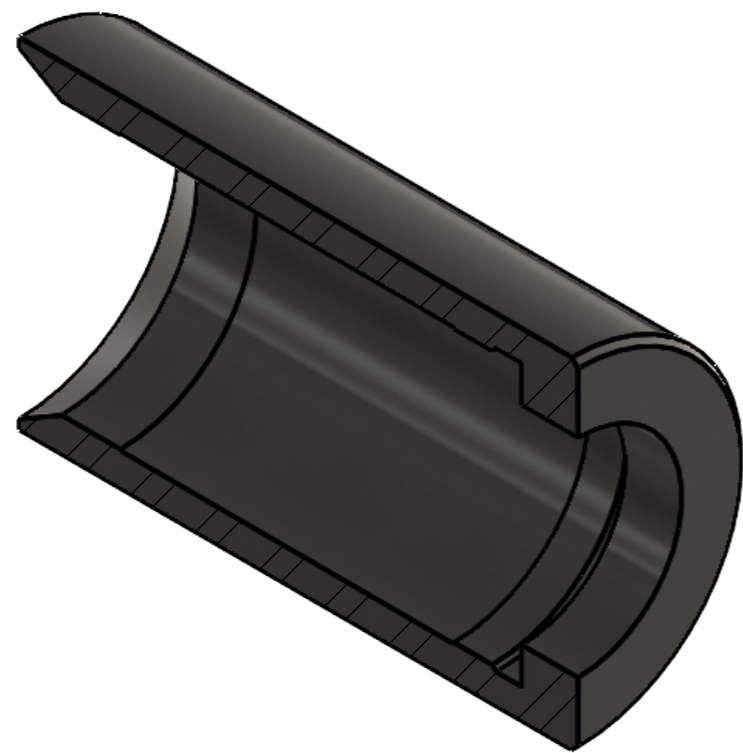
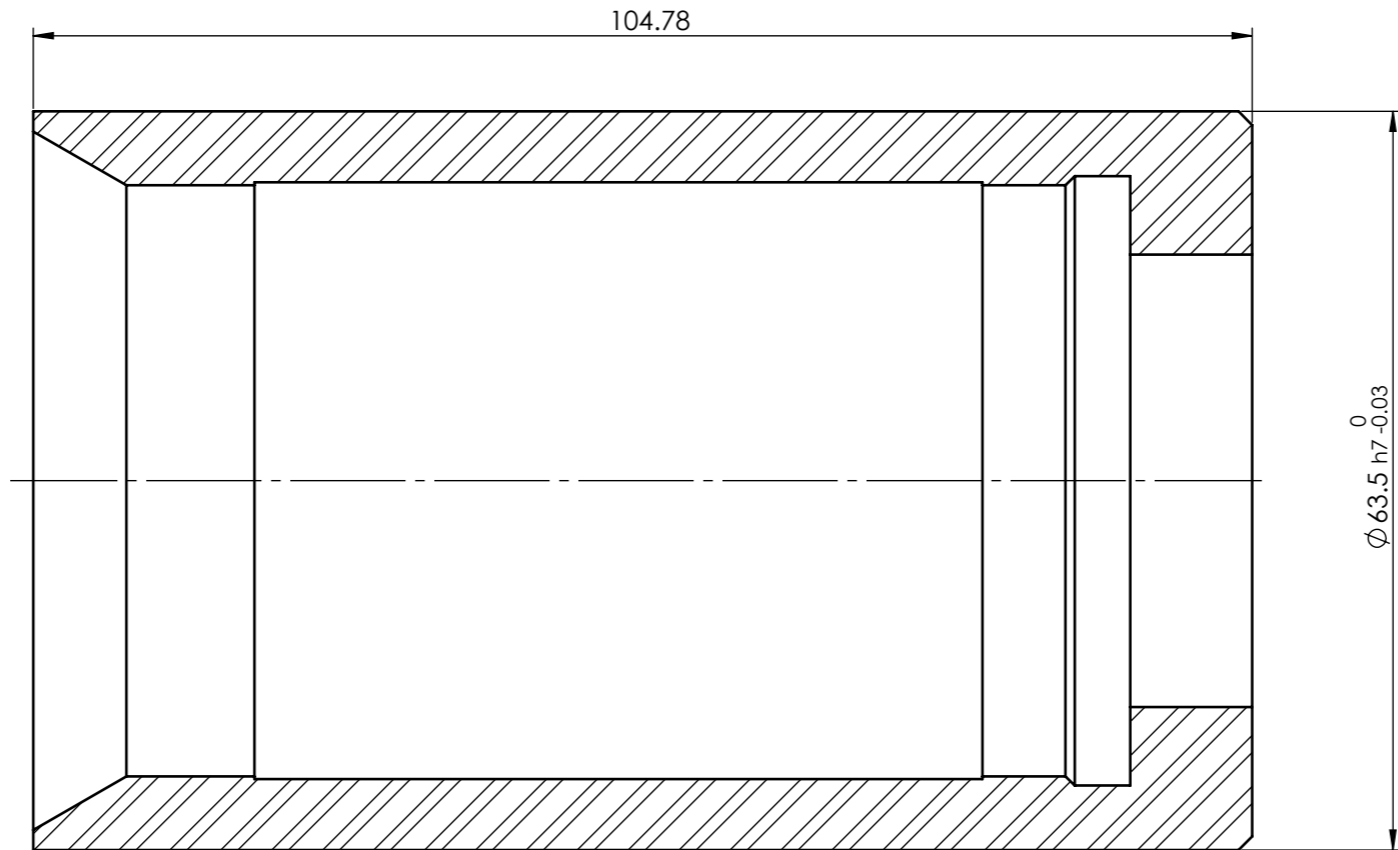


PART NO.	PART NAME	QTY	DIMENSION	MATERIAL	SUR.H	CORE.H	WEIGHT	REMARKS
1	SLEEVE SHAFT	1	AS SHOWN	AISI 420	42 HRC			DIN 1.4021



	DIYAKO ARYA MACHINE CO.			BY	DATE	BY	DATE
	REV	0	DATE	NAME	SIGN	REV. CHECKED	REV. APPROVED
SKETCH	1404/02/10	J.Motedayen			SCALE 1:1	TITLE: SLEEVE SHAFT PUMP MAGNOM	
DRAWN	1404/02/10	J.Motedayen				M.E.S.C NO: ---	
CHECKED	1404/02/10	J.Motedayen				PART NO: ---	
APPROVED	1404/02/10	MR.SHEBANI			SIZE A3	SHEET: 1 OF 1	
						DWG NO: SH-P01.---	