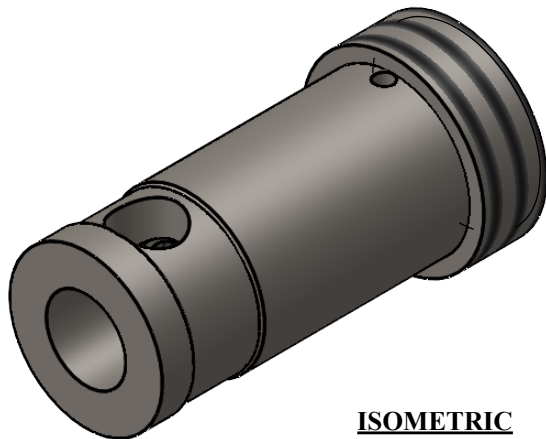
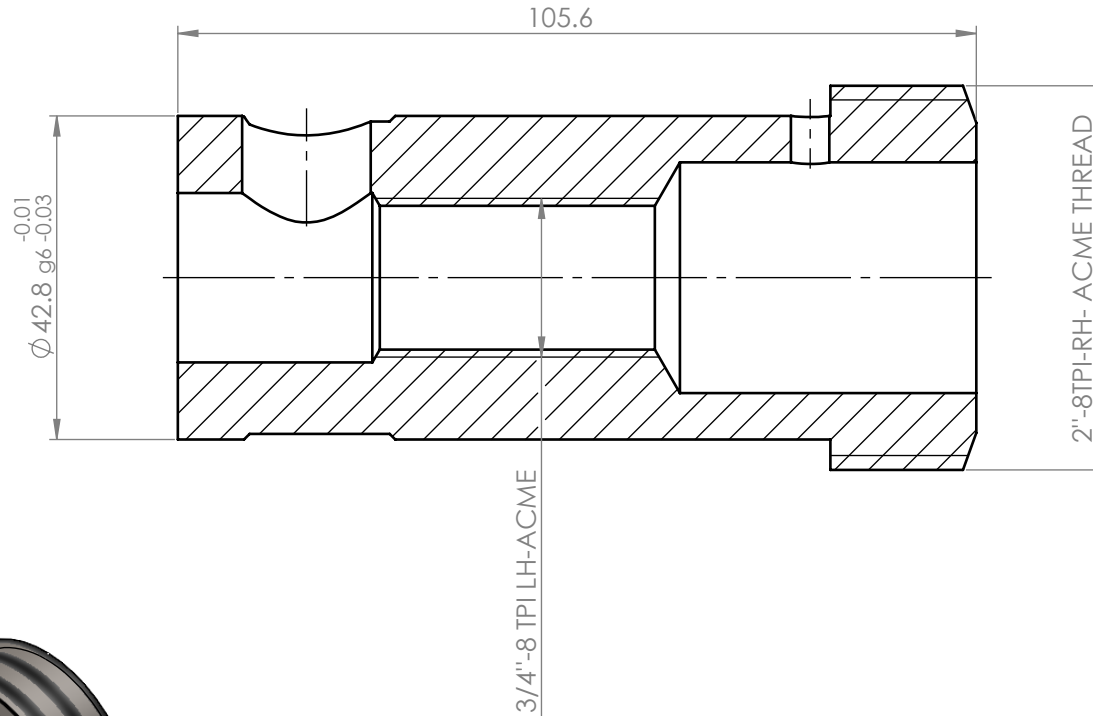


| PART NO. | PART NAME | QTY | DIMENSION | MATERIAL | SUR.H | CORE.H | WEIGHT | REMARKS |
|----------|------------|-----|-----------|-----------|-------|--------|--------|------------|
| 1 | STEM SCREW | 1 | AS SHOWN | AISI 4140 | 22HRC | | | DIN 1.7225 |

0.8/



ISOMETRIC

NOTE2: Remove All sharp Edges.

NOTE1: Unspecified tolerances is according to ISO 2768 -m.

| DIYAKO ARYA MACHINE CO. | | | | BY | DATE | BY | DATE |
|-------------------------|------------|-------------|------|-------|---------|--------------------------------------|------|
| REV | DATE | NAME | SIGN | REV. | CHECKED | | |
| SKETCH | 1404/07/22 | J.Motedayen | | SCALE | 1:1 | TITLE: MUD GATE VALVE2000 WELDED END | |
| DRAWN | 1404/07/22 | J.Motedayen | | | | M.E.S.E NO: ----- | |
| CHECKED | 1404/07/22 | J.Motedayen | | | | PART NO: | |
| APPROVED | 1404/07/22 | Sheybani | | SIZE | ** A4 | SHEET: 6 OF 16 | |
| | | | | | | SWG NO: SH-P01.715-1 | |